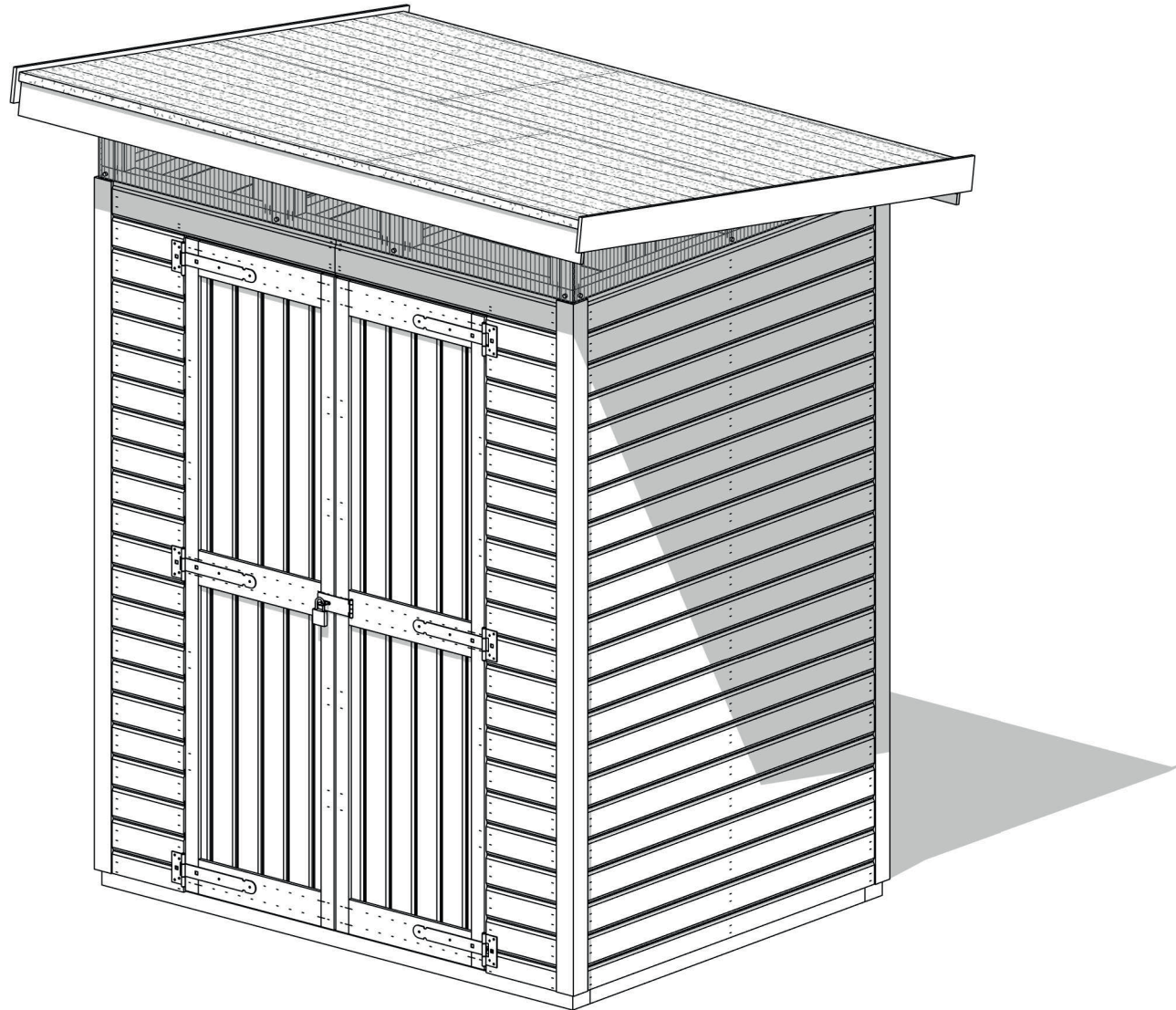
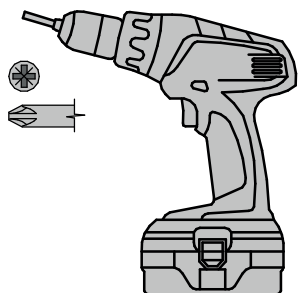
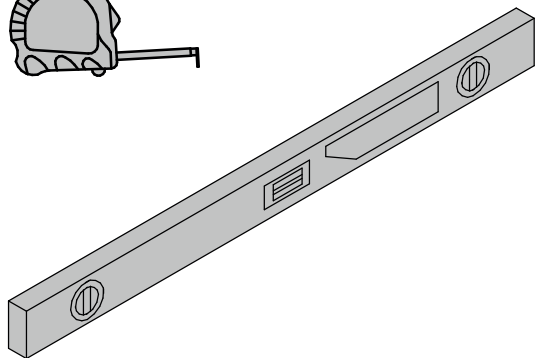
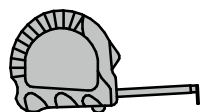
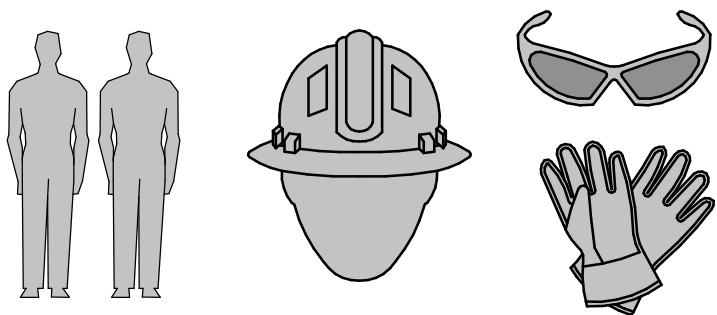


STRONGBOX M

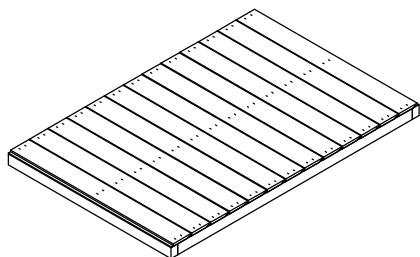




K1

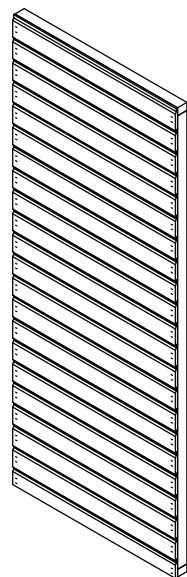
P1 - 760 x 1160 x 55

x2



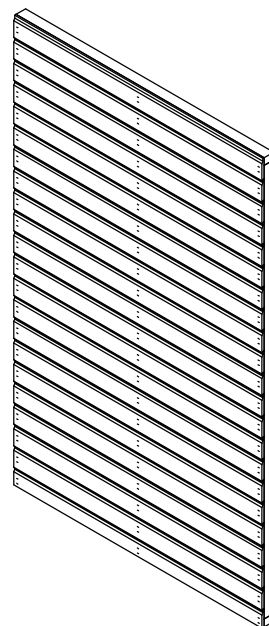
P2 - 760 x 1900 x 55

x2



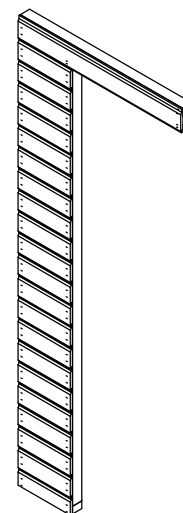
P3 - 1160 x 1900 x 55

x2



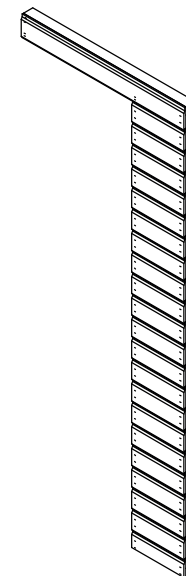
P4-L - 760 x 1900 x 55

x1



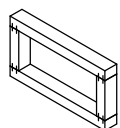
P4-R - 760 x 1900 x 55

x1



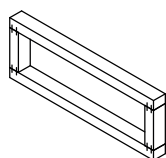
P5 - 355 x 194 x 44

x1



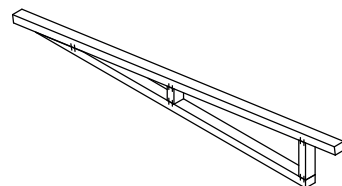
P6 - 537 x 194 x 44

x2



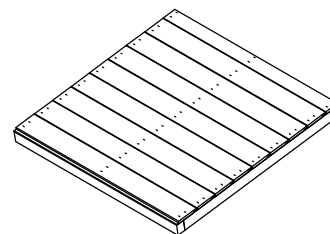
P7 - 1504 x 249 x 44

x4



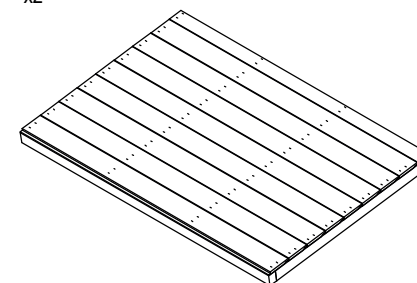
P8 - 760 x 760 x 55

x2



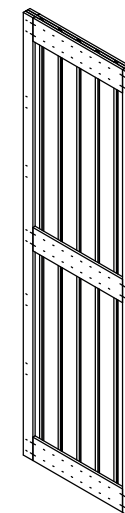
P9 - 1160 x 760 x 55

x2

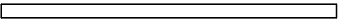


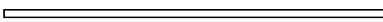
P10 - 507 x 1793 x 32

x2




K2

1 - 44 x 70 x 1108
x3 


6 - 20 x 20 x 1030
x2 

11 - 11 x 95 x 1600
x2 

2 - 44 x 70 x 1608
x2 

7 - 32 x 44 x 537
x2 

3 - 58 x 58 x 1900
x4 


8 - 32 x 44 x 355
x1 

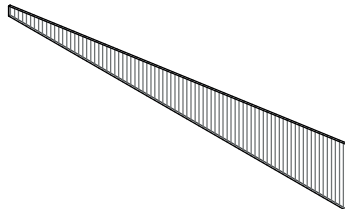
4 - 32 x 44 x 1450
x1 

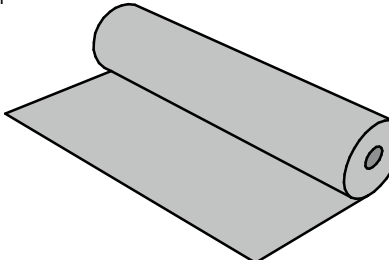
9 - 20 x 20 x 1920
x2 

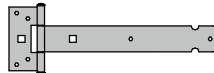
5 - 11 x 95 x 1518
x1 


10 - 11 x 95 x 1920
x2 


A Ø3.5x20 
x34


H - 1262 x 215 x 4
x2 

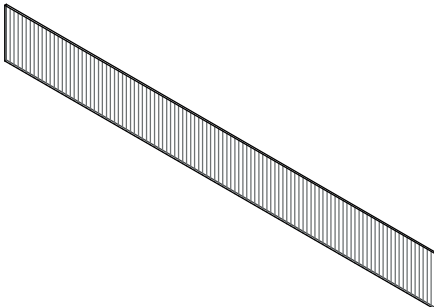
J - 2000 x 2100
x1 


K
x6 


B Ø3.5x35 
x36

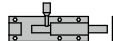
C Ø4x50 
x74


D Ø5x70 
x76

I - 1620 x 180 x 4
x1 

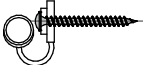
L 
x1

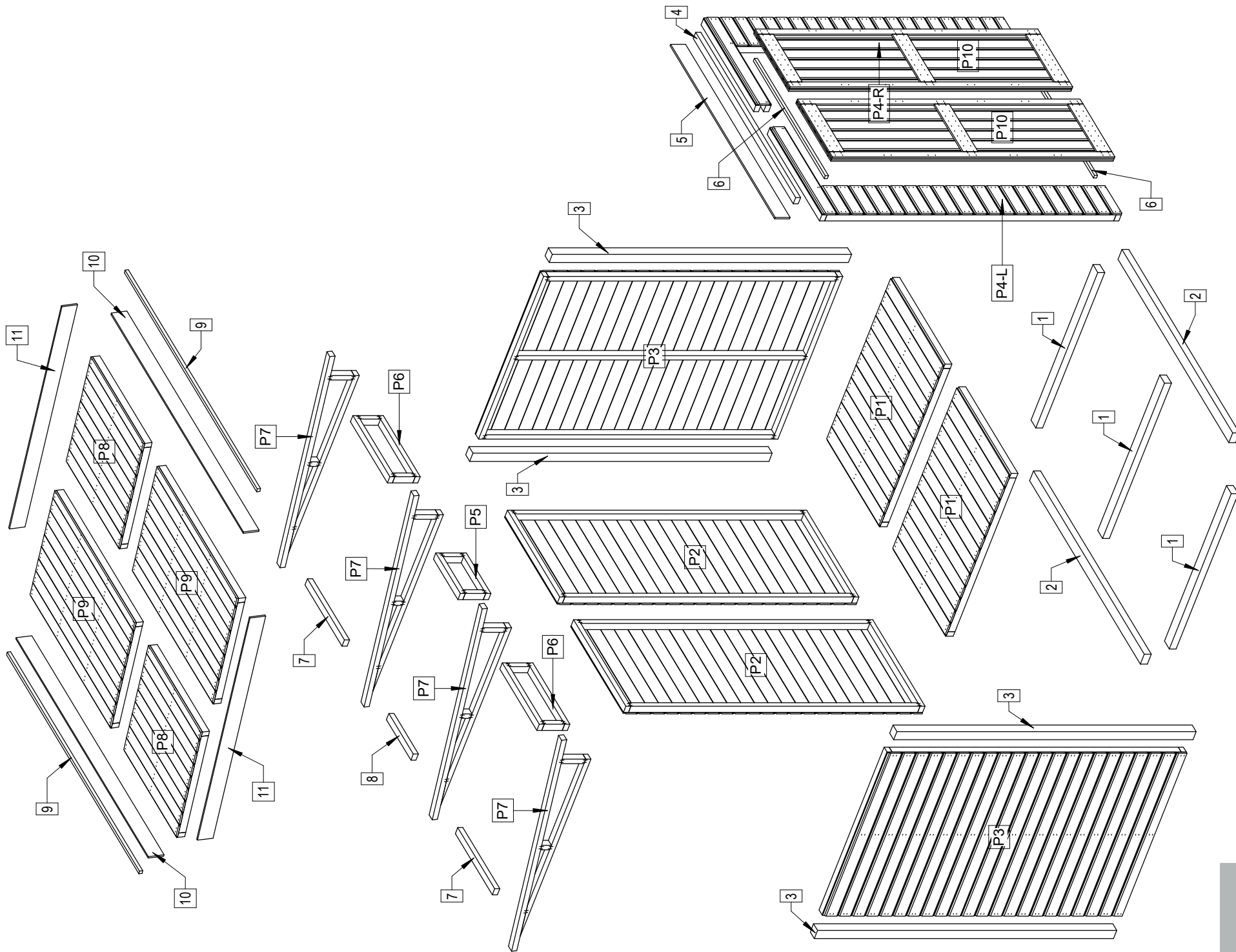
E Ø5x90 
x6

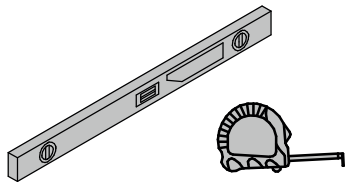
M 
x2

F M8x40 
x12

N 
x1

G Ø4.5x45(PC) 
x20

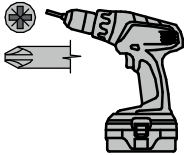




Ø3



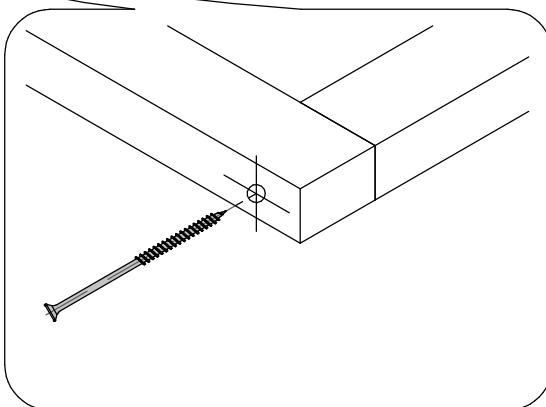
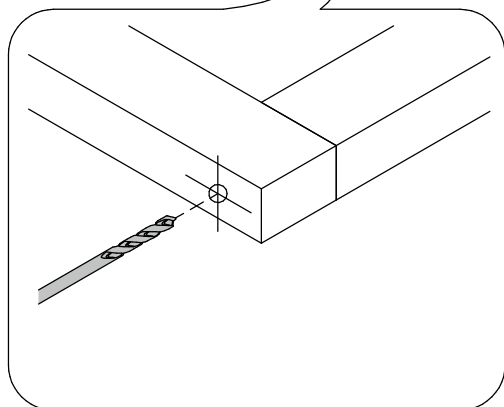
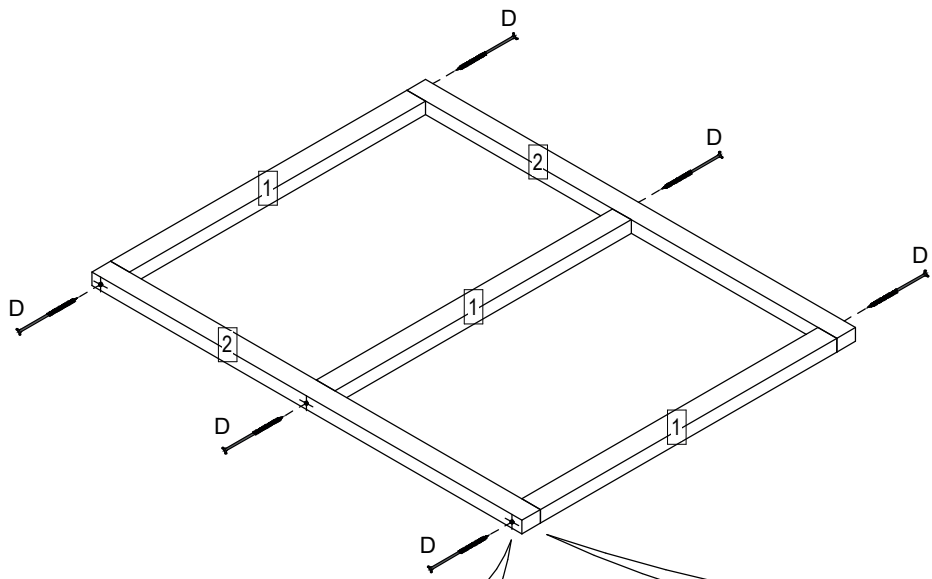
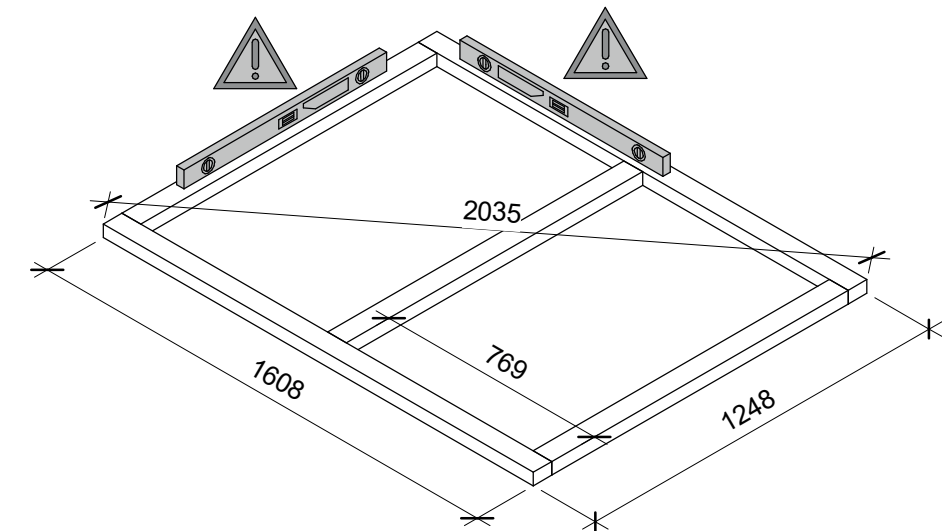
+



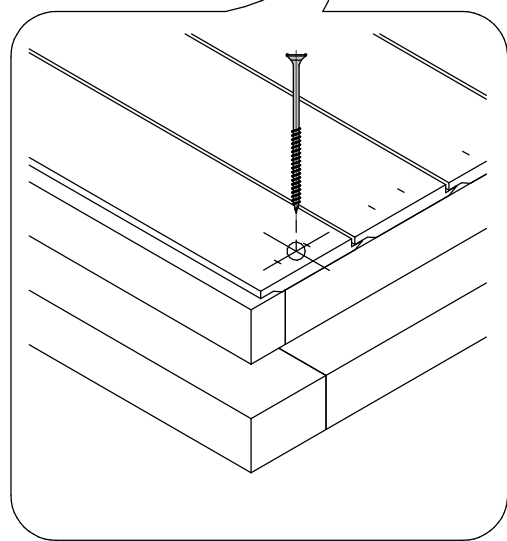
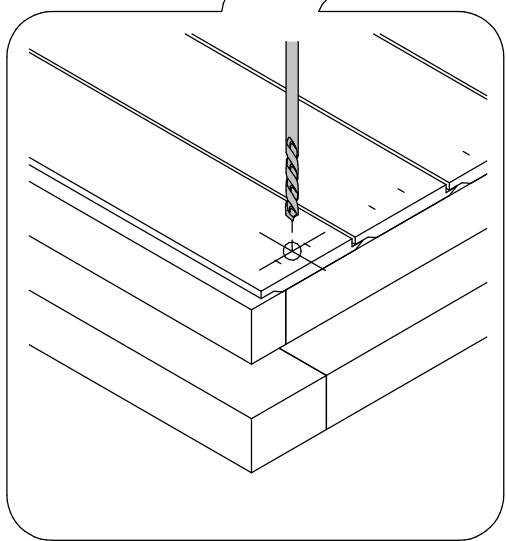
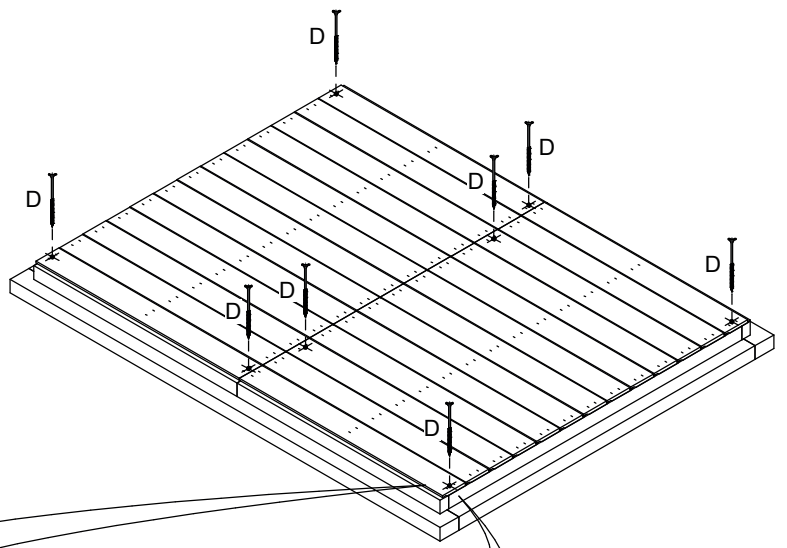
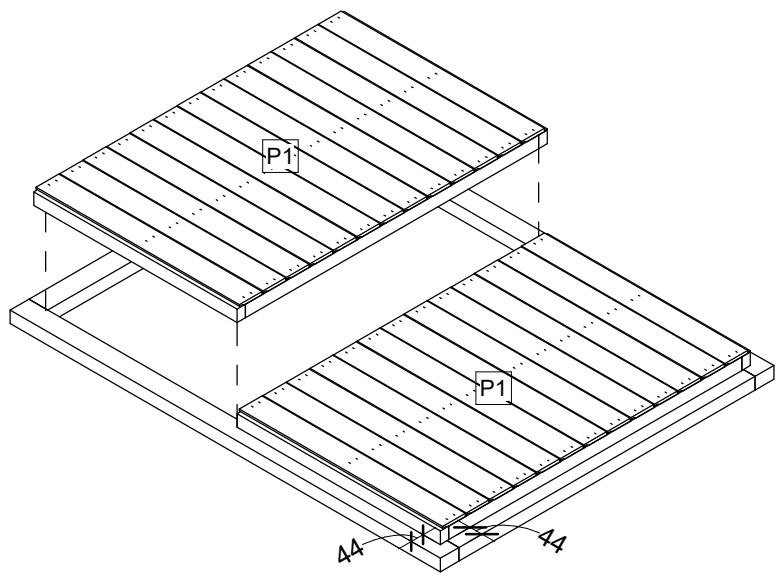
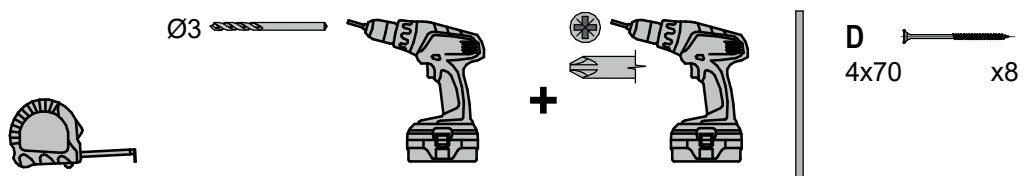
E

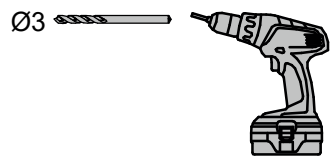
5x90

x6

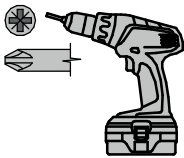


K5

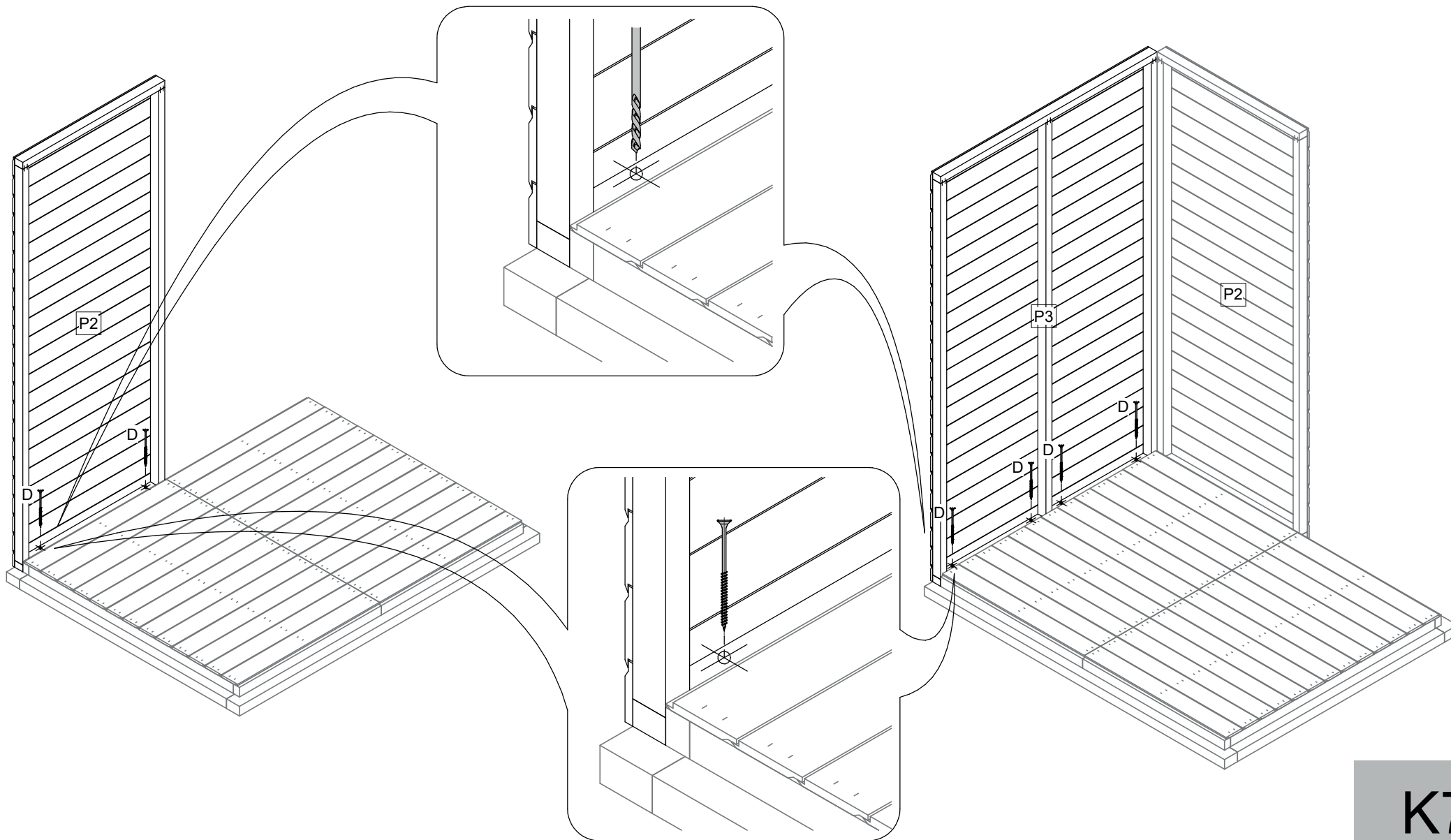




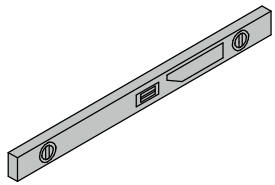
+



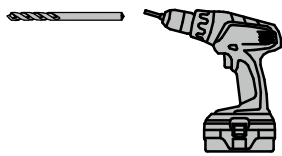
D
4x70 x6



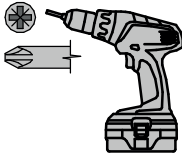
K7



Ø3



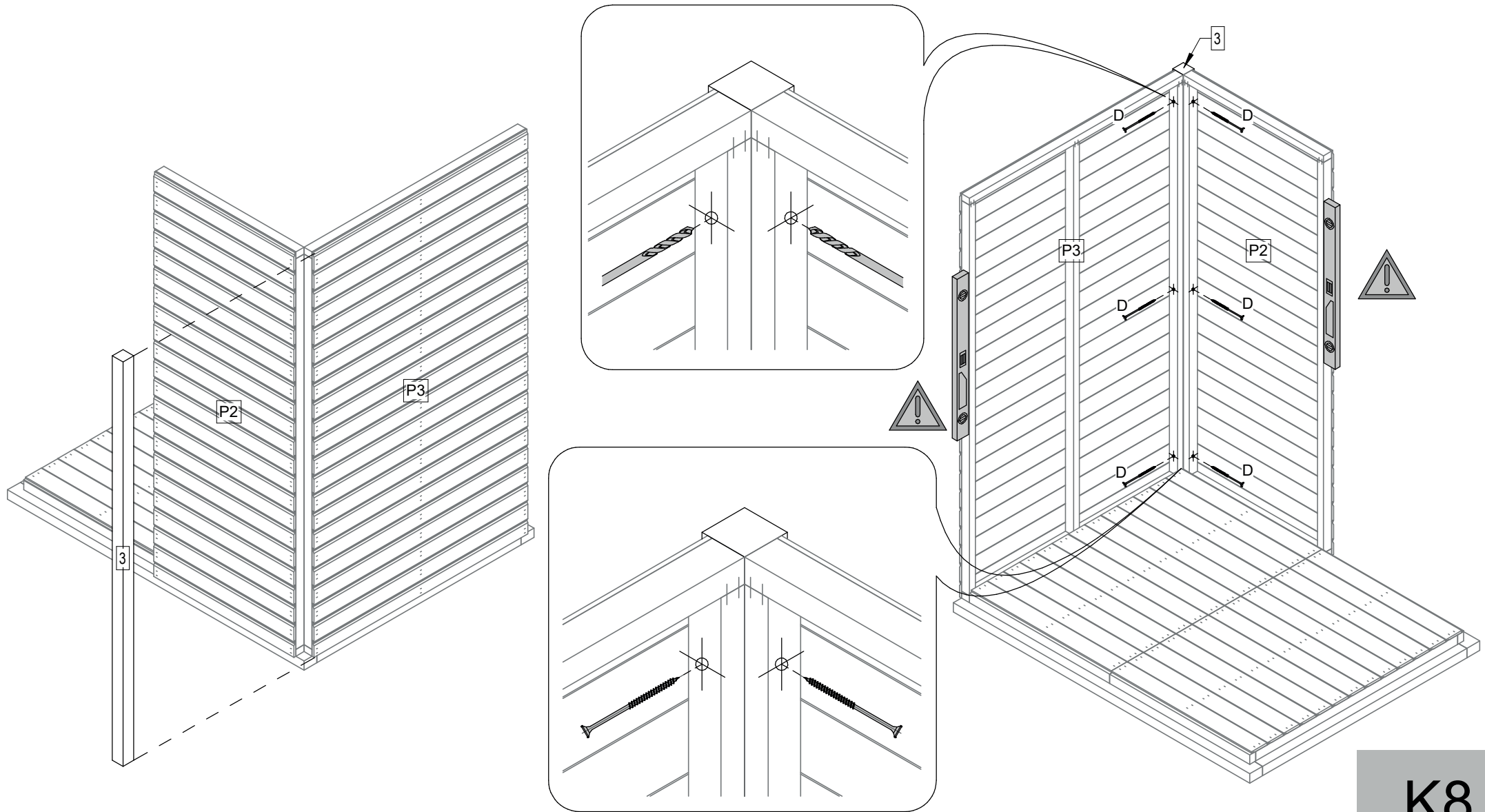
+



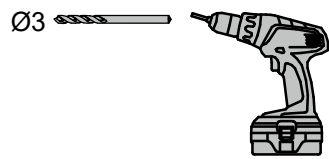
D

4x70

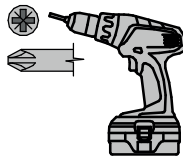
x6





K8

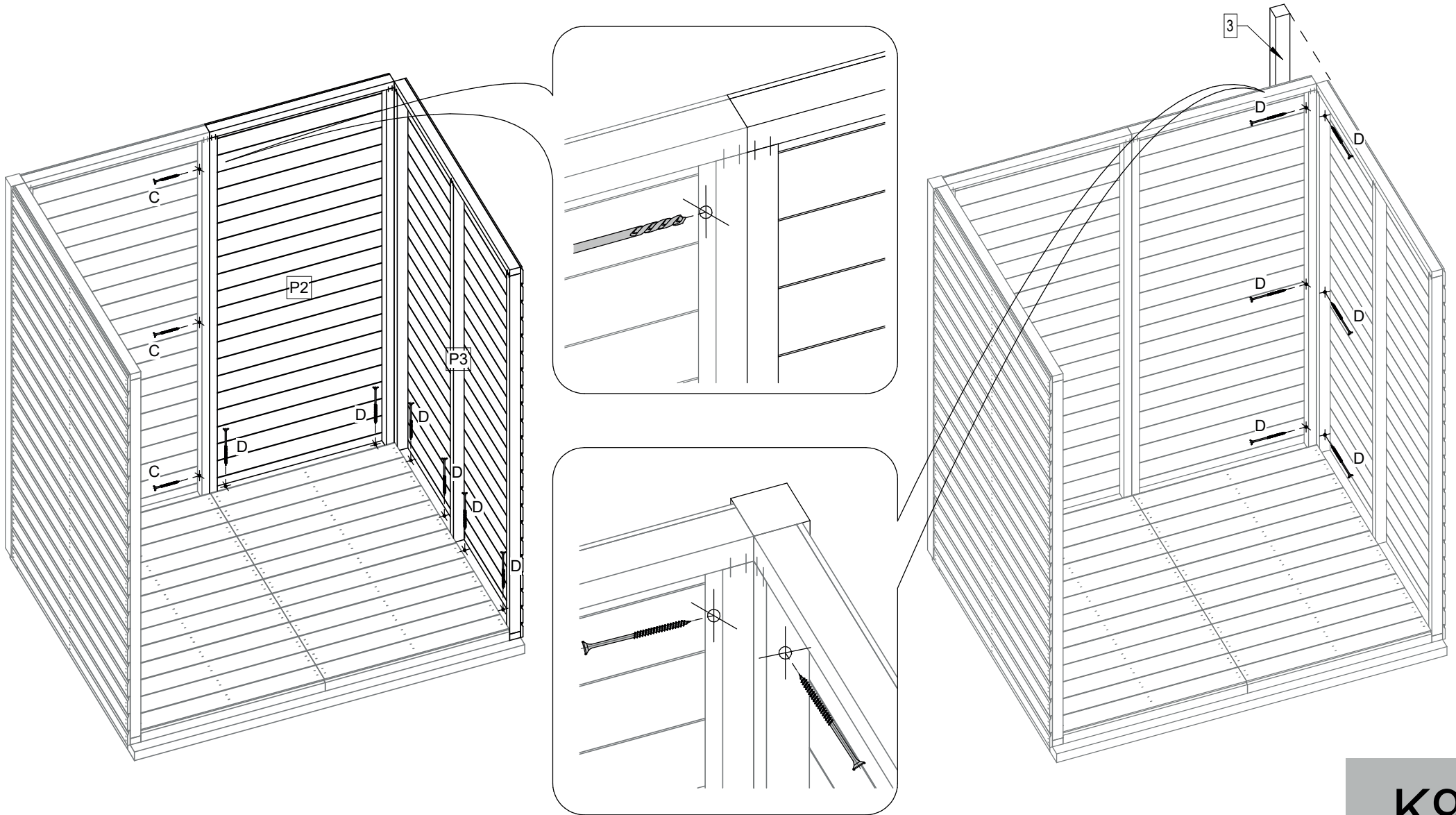


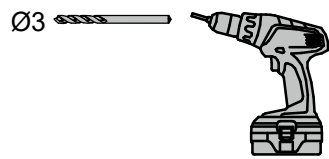
+



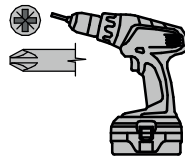
C  4x50 x3


D  4x70 x12




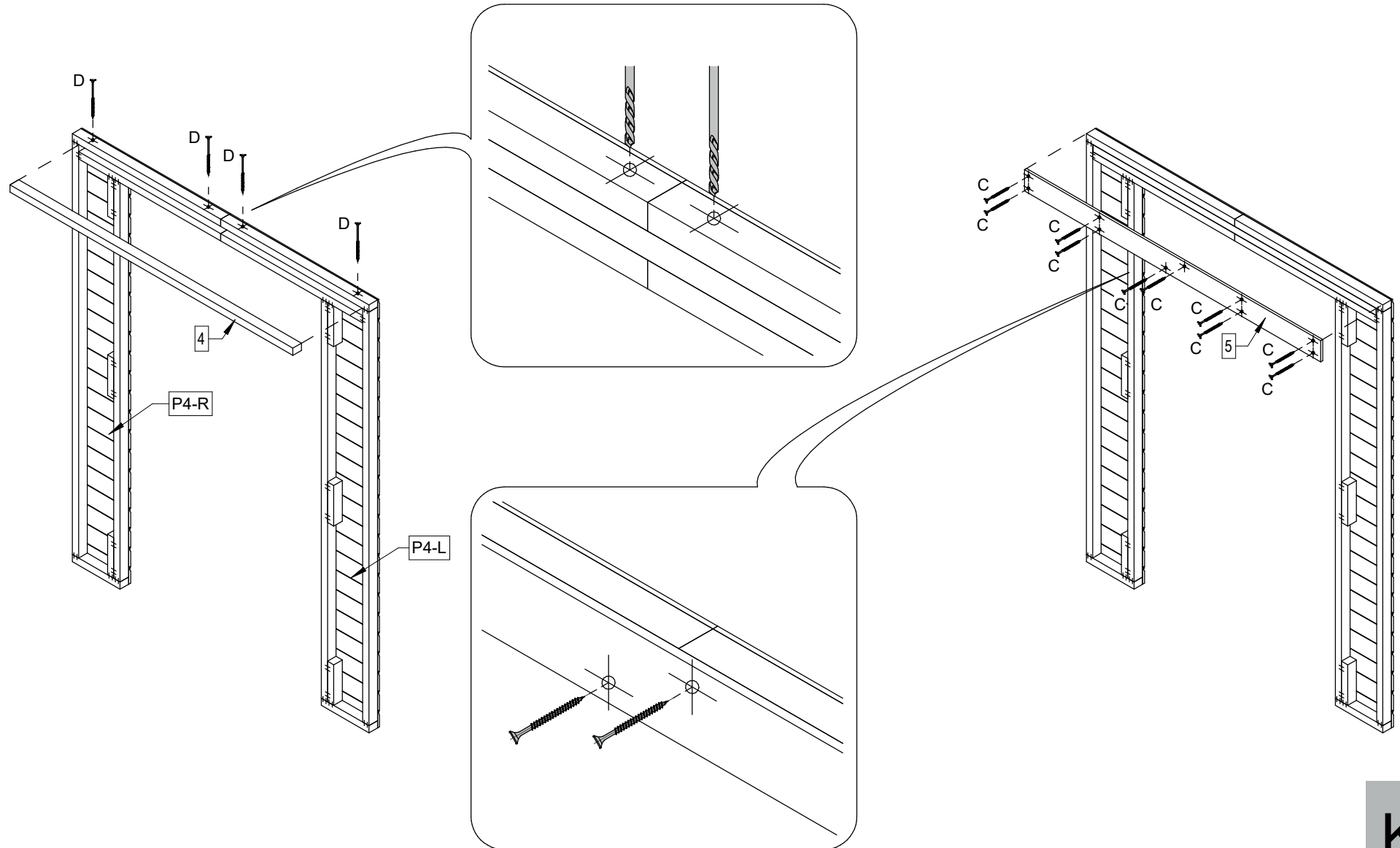


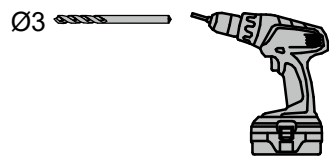
+



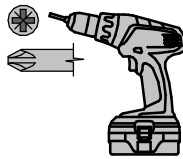
C  4x50 x10

D  4x70 x4

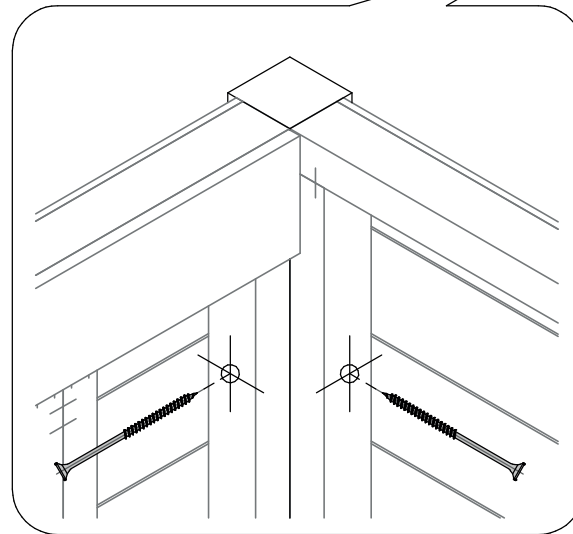
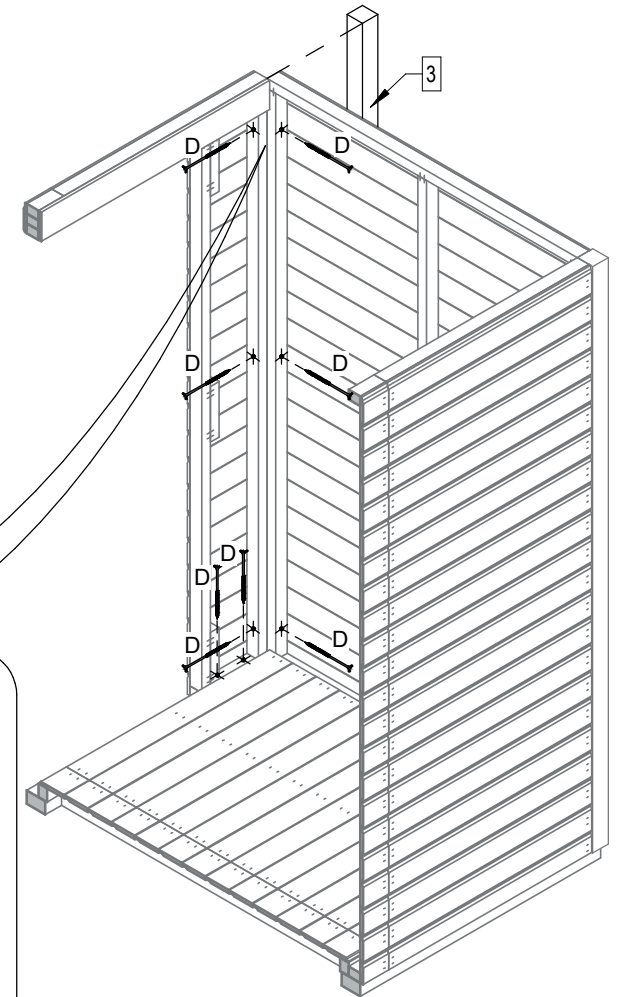
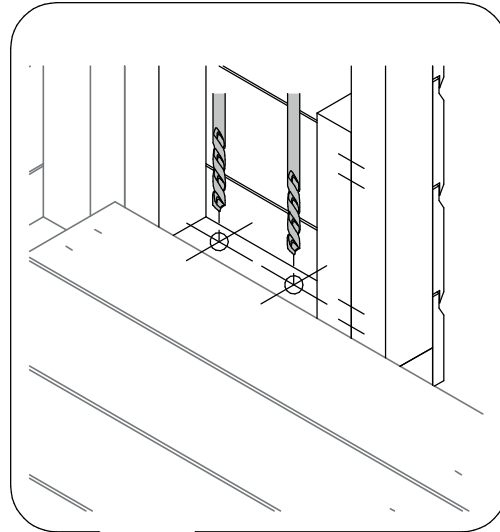
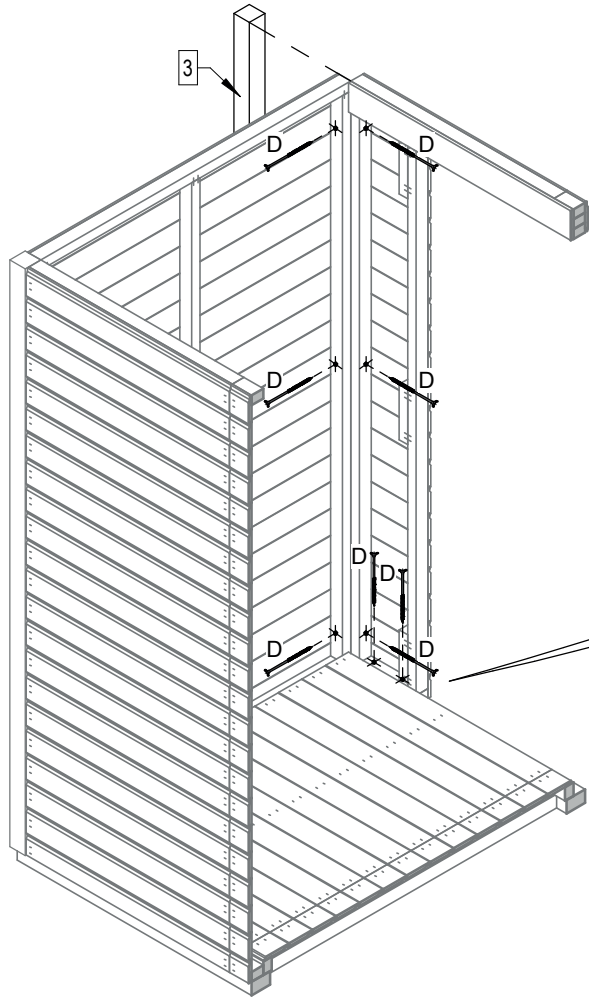




+



D
4x70 x16

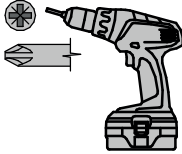




Ø3



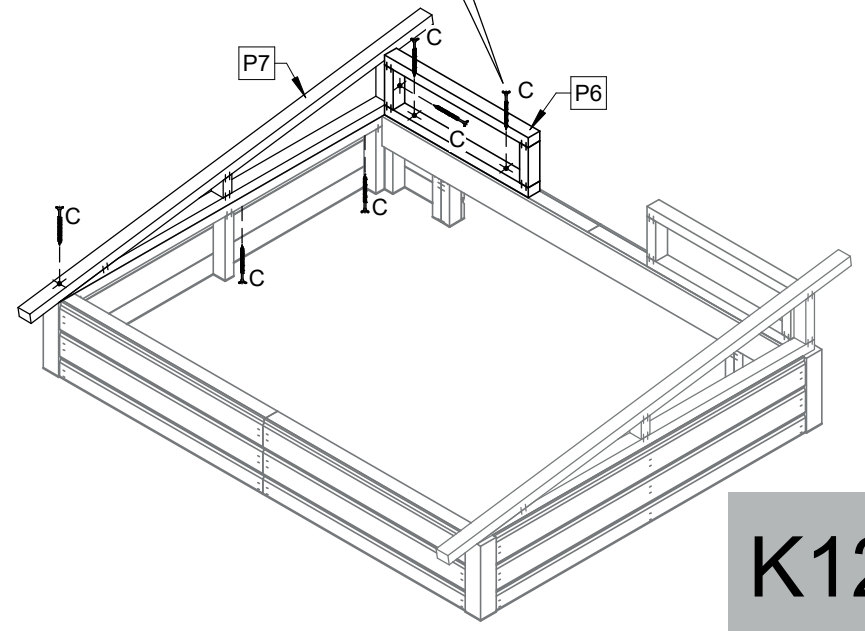
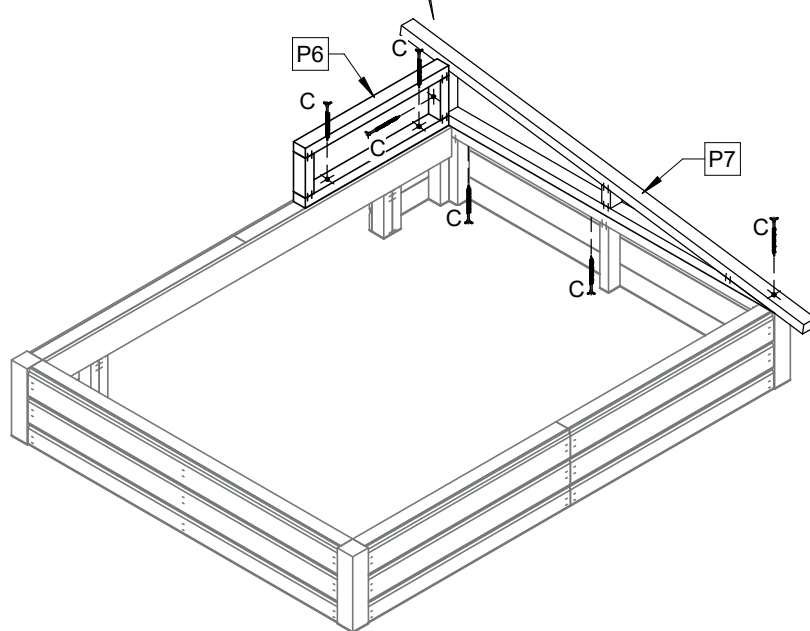
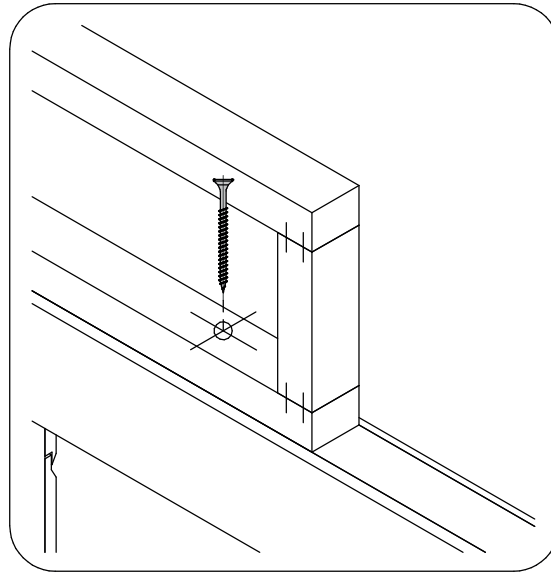
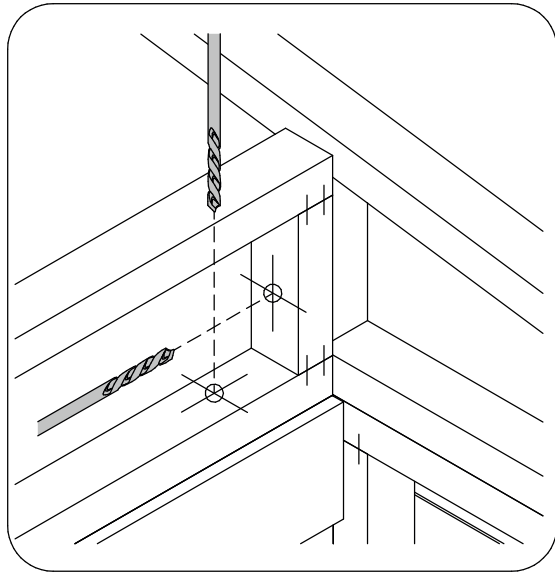
+



C

4x50

x12



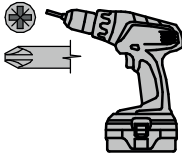
K12



Ø3



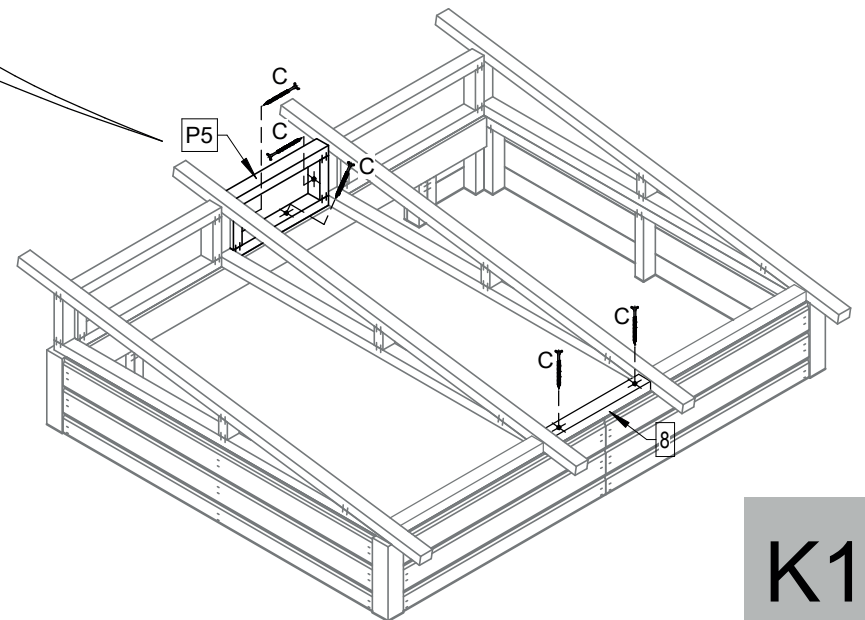
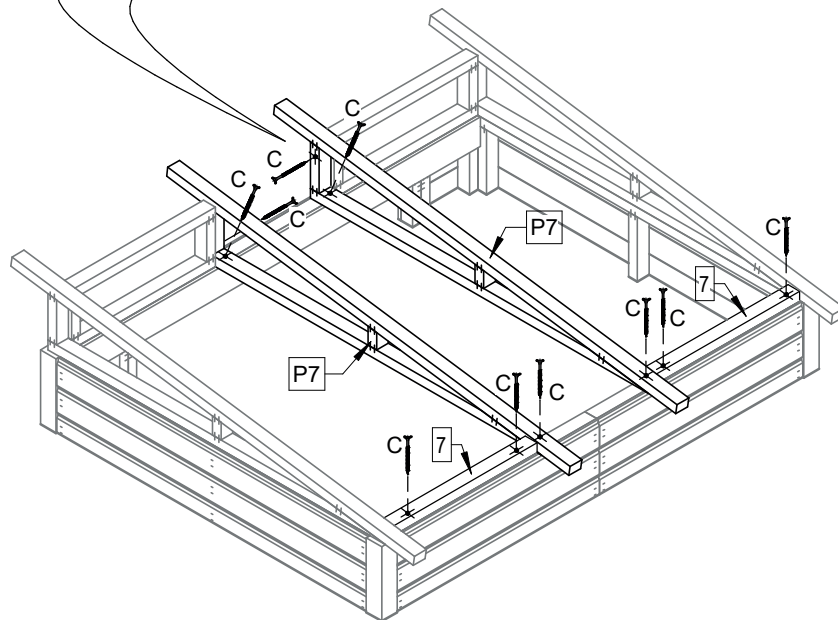
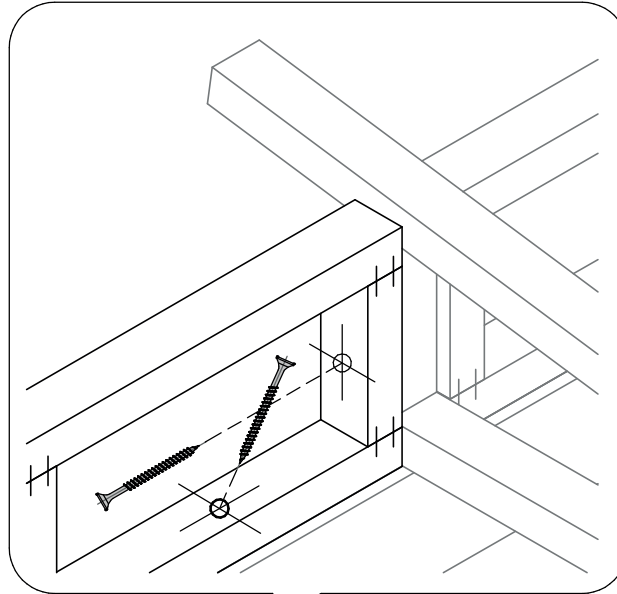
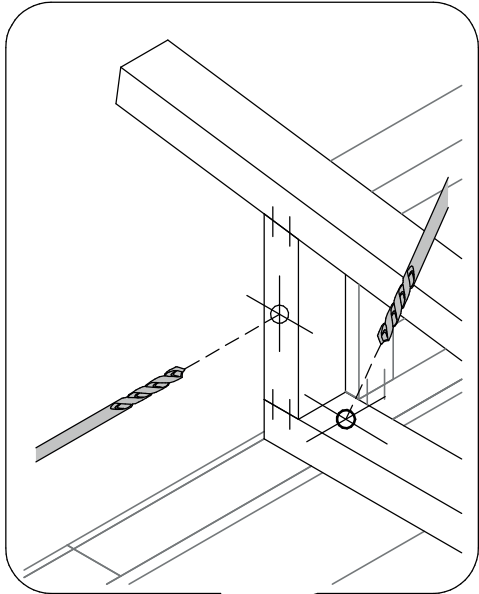
+

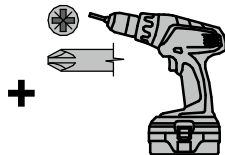
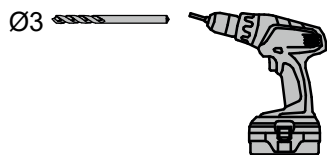
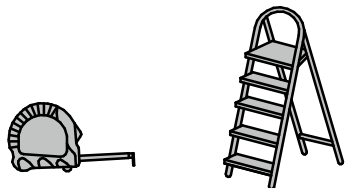


C

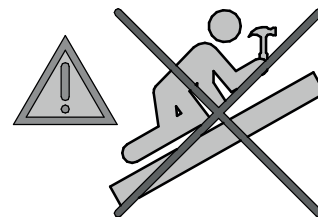
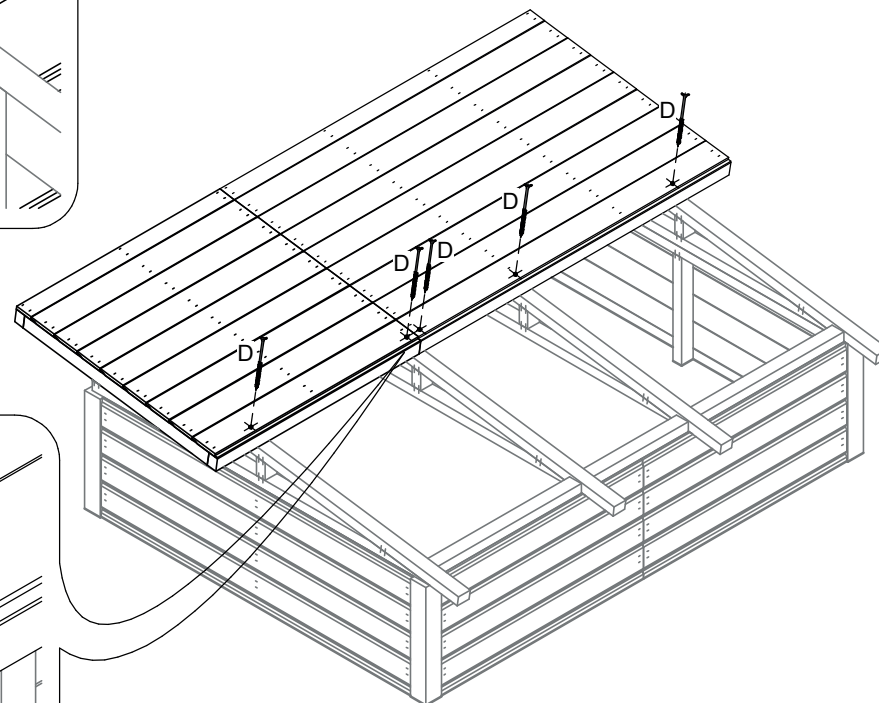
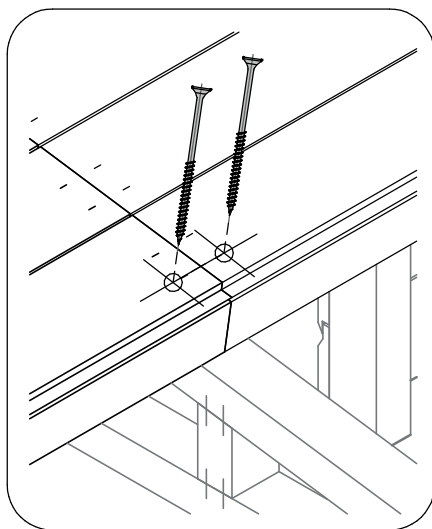
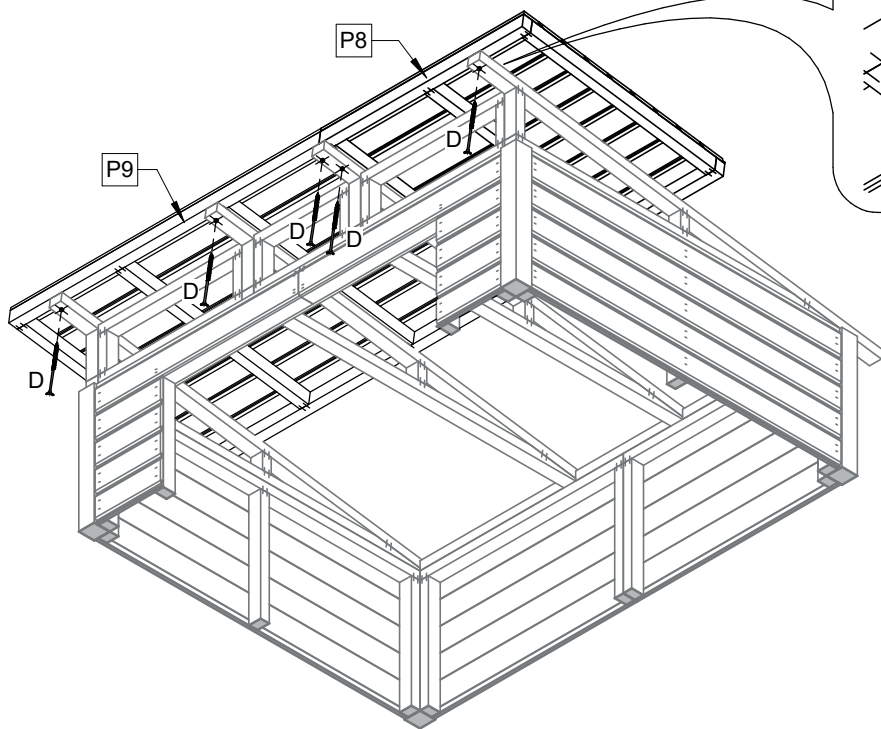
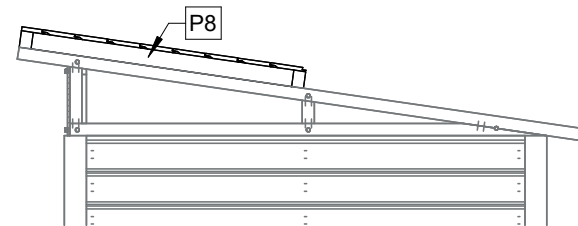
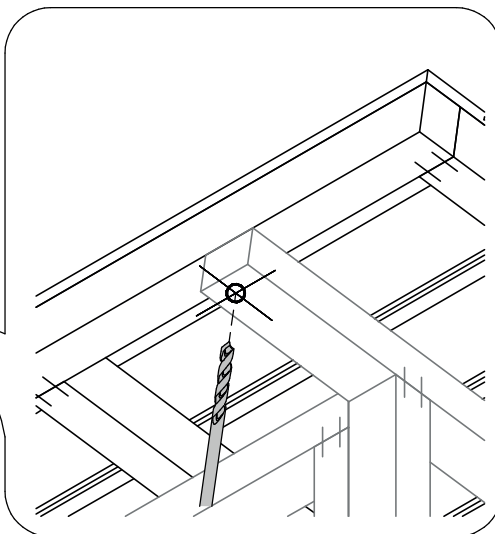
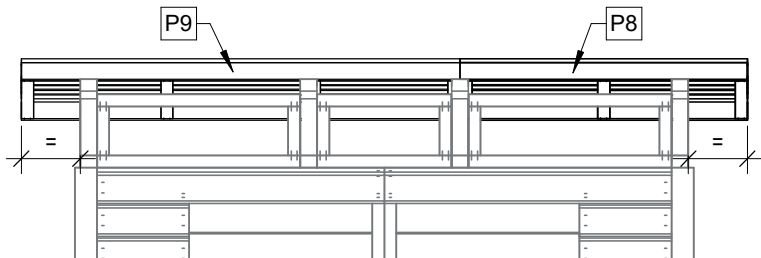
4x50

x15





D 4x70 x10



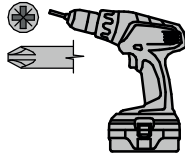
K14



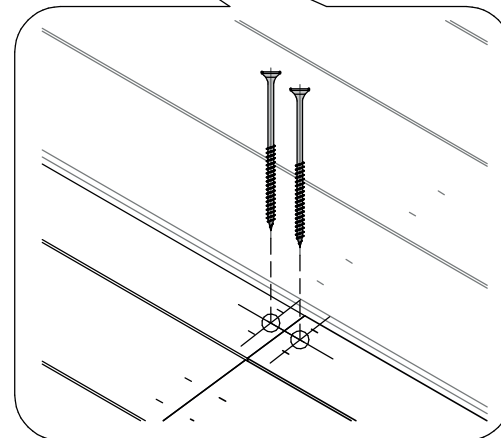
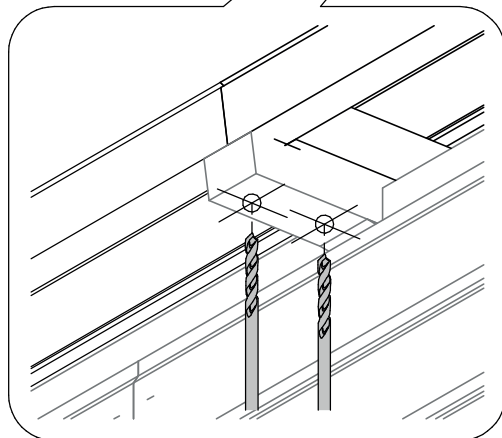
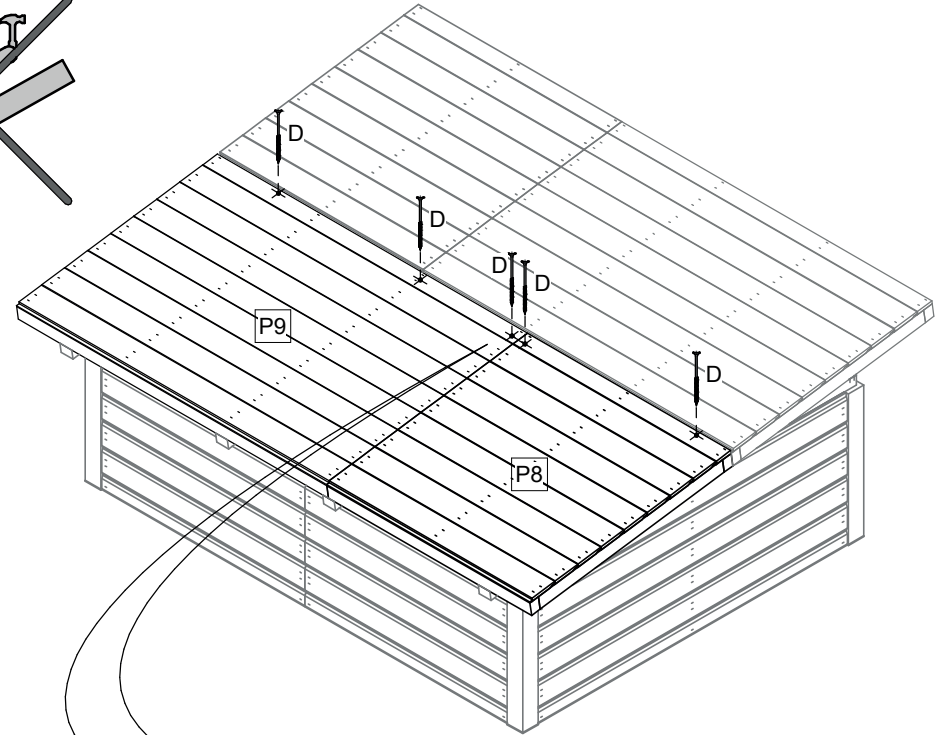
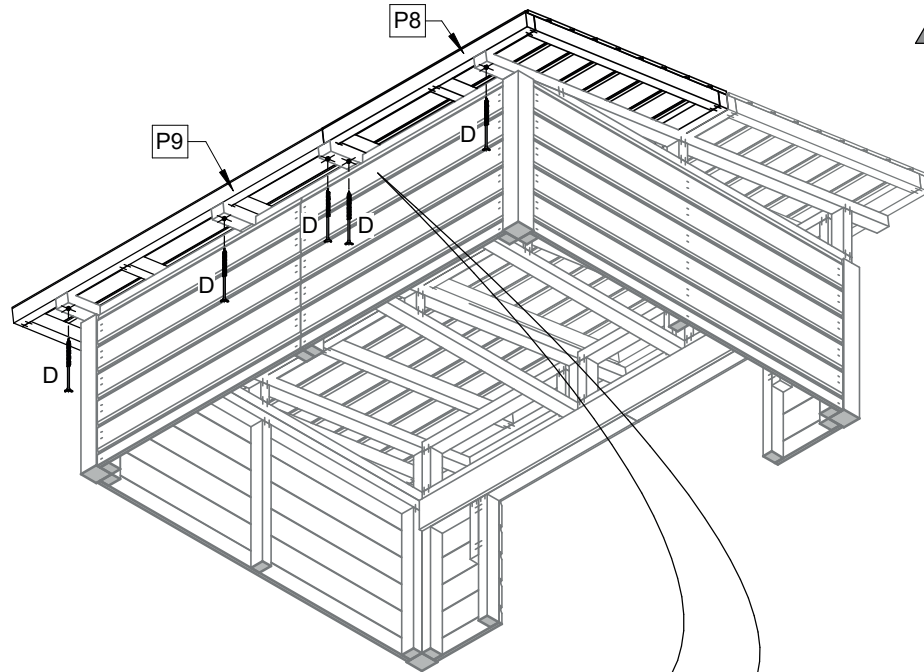
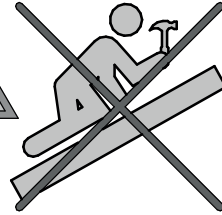
Ø3



+



D
4x70 x10



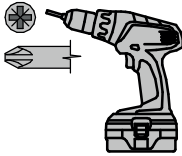
K15



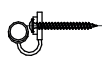
Ø3



+

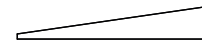


G



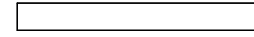
Ø4.5x45(PC) x18

H

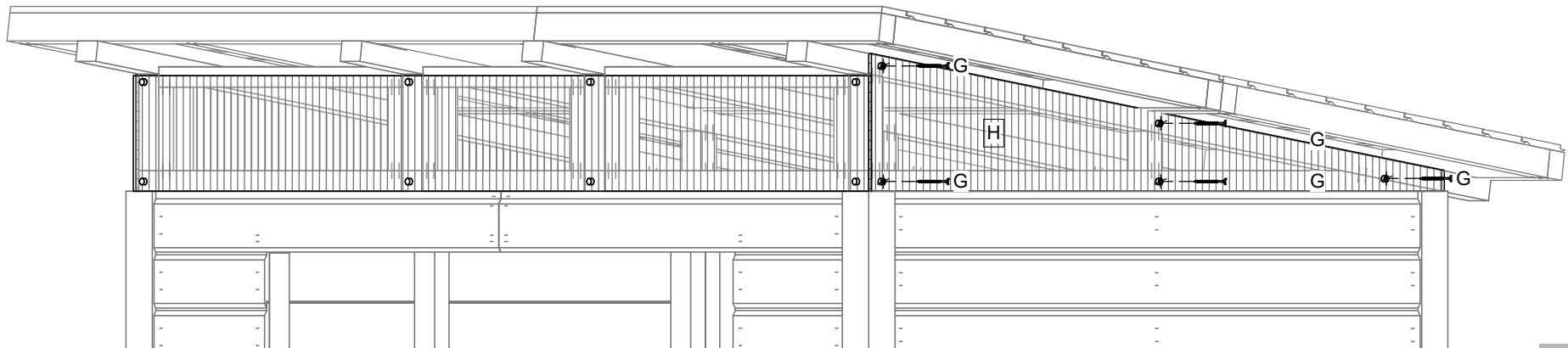
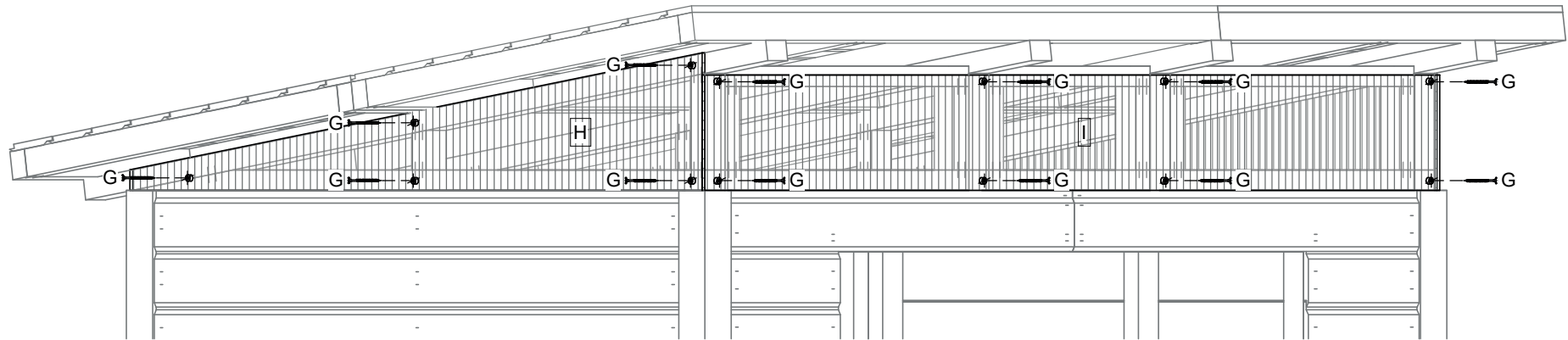


x2

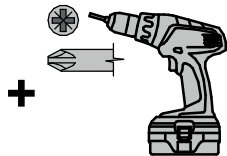
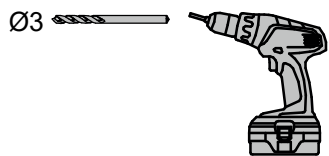
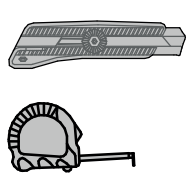
I



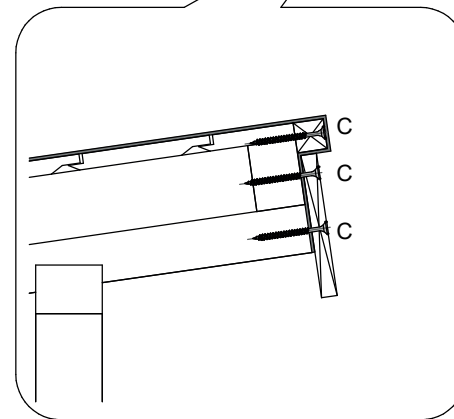
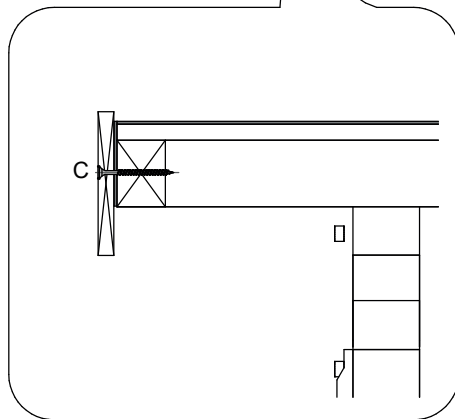
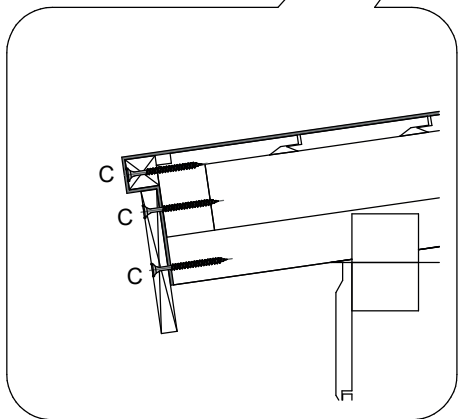
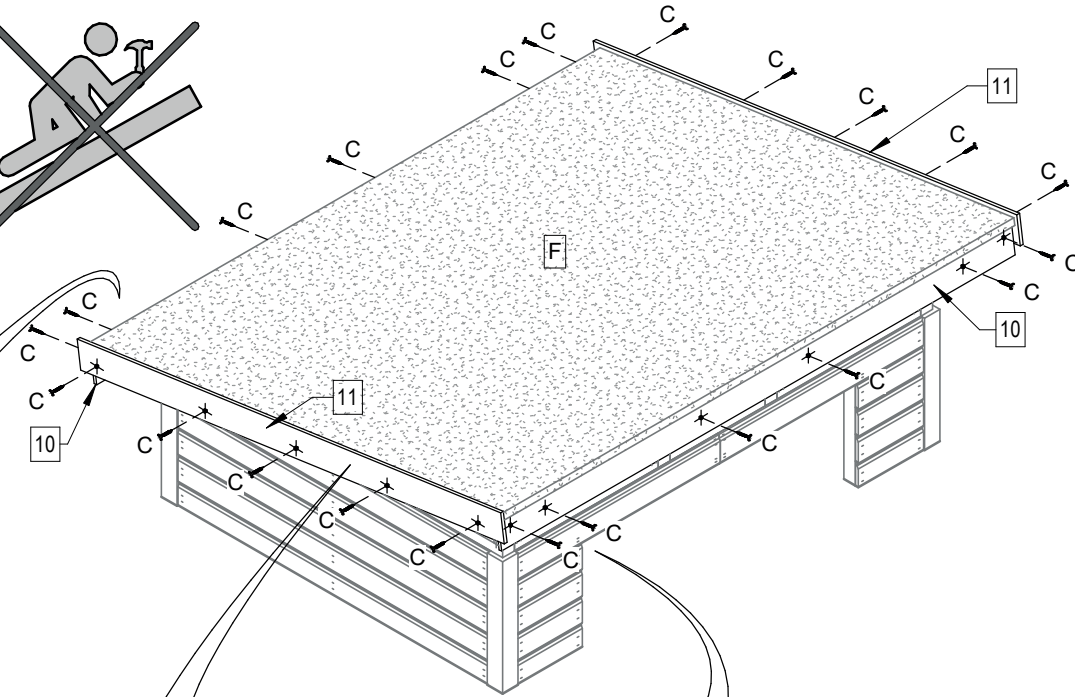
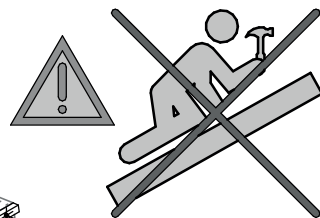
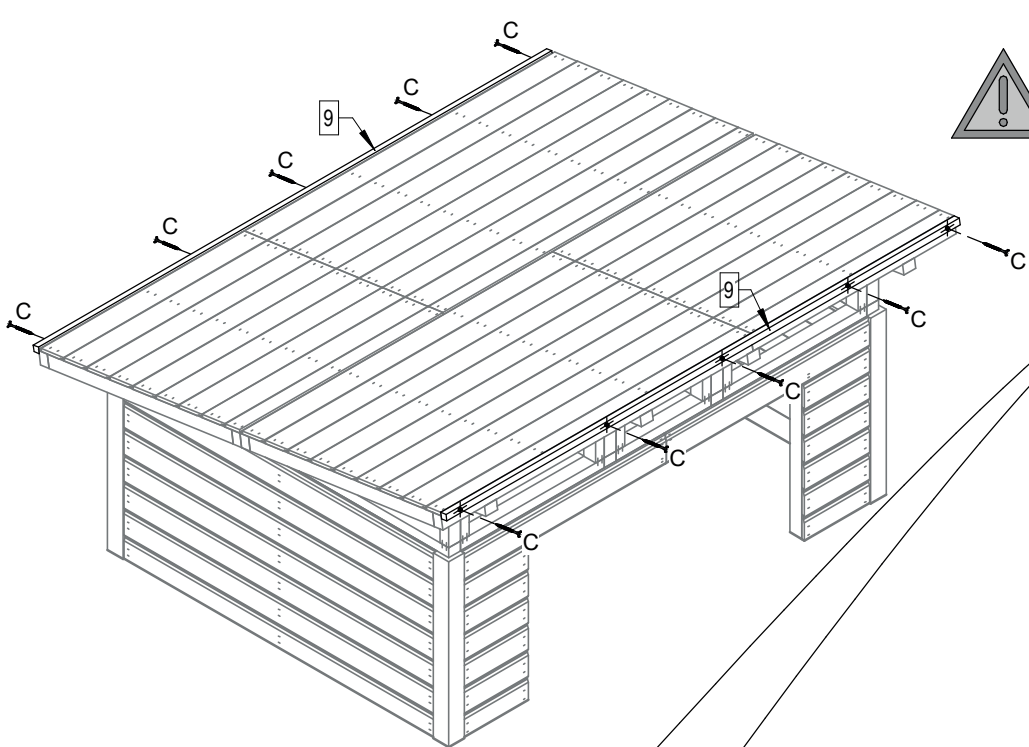
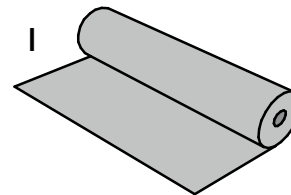
x1



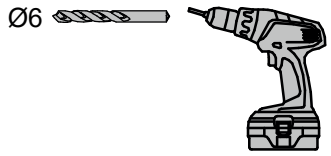
K16



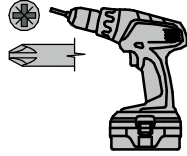
C 4x50 x32





K17





+

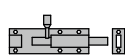


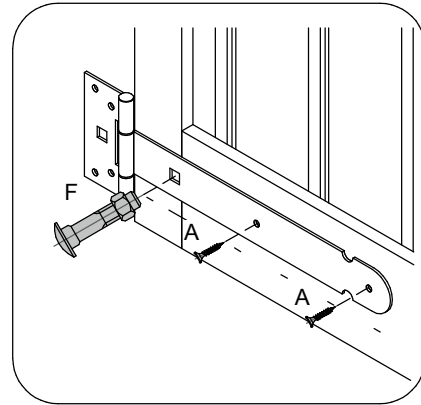
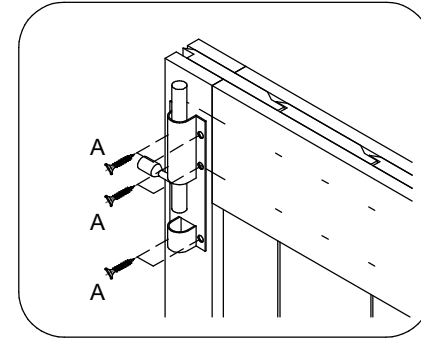
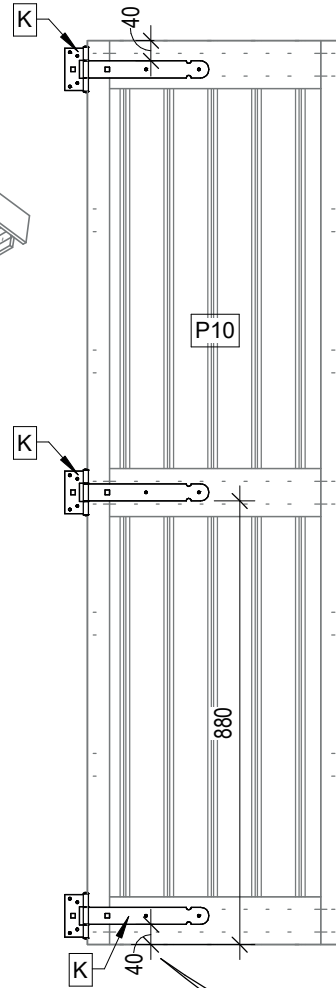
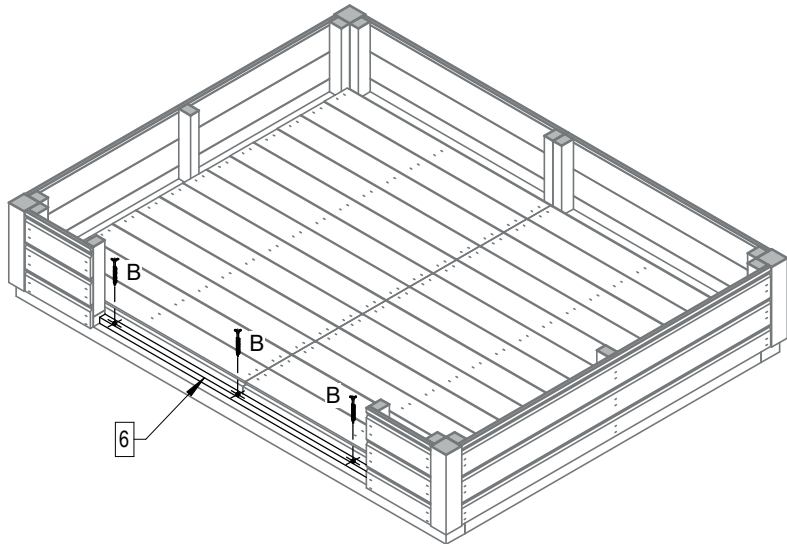
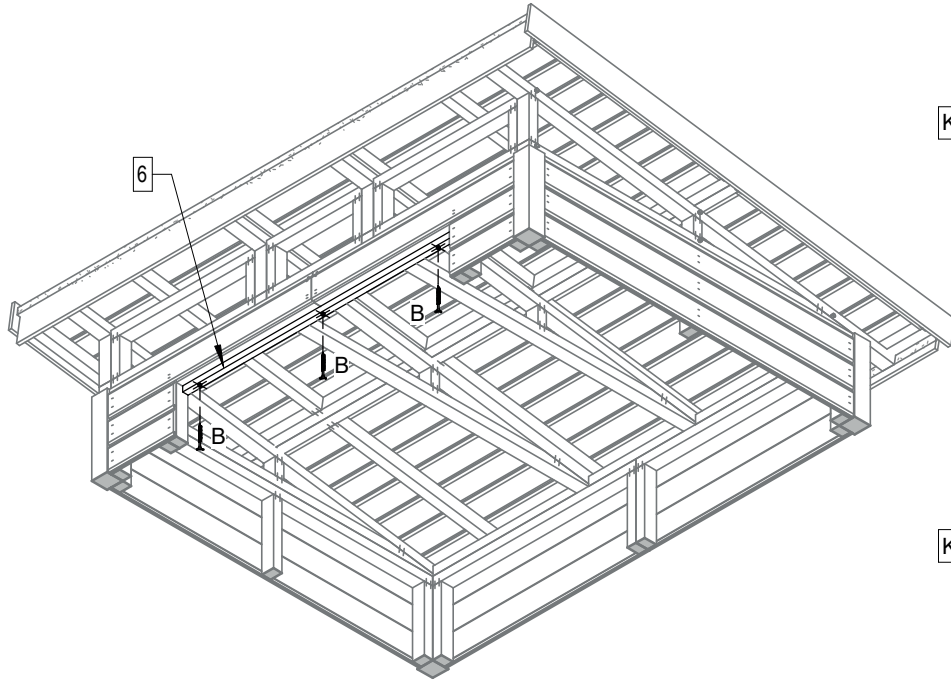
A  3.5x20 x24

F  M8x40 x6

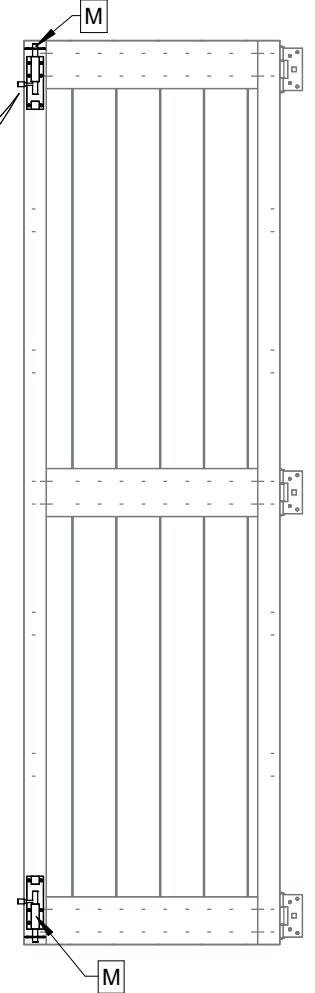
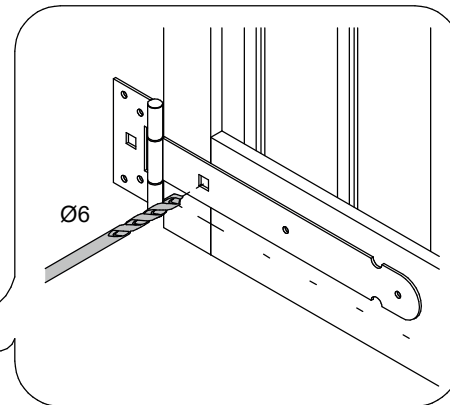
K  x6

B  3.5x35 x6

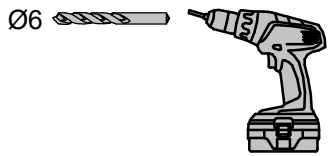
M  x2



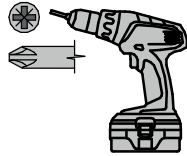
+





K18





+



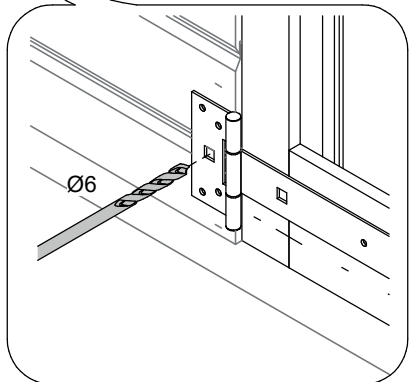
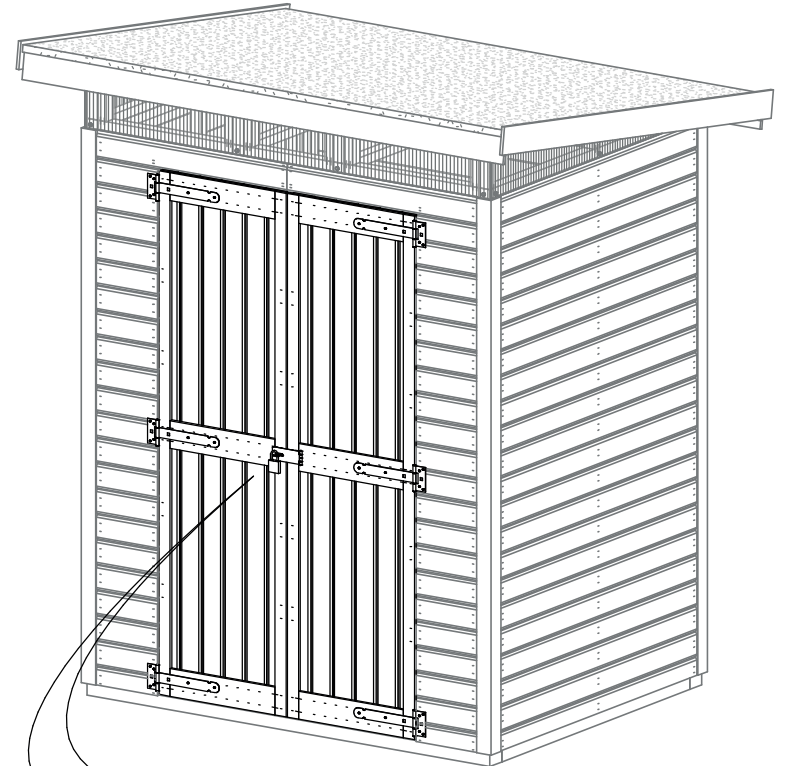
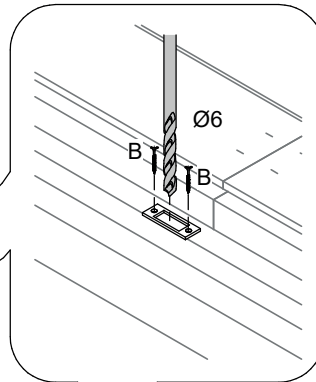
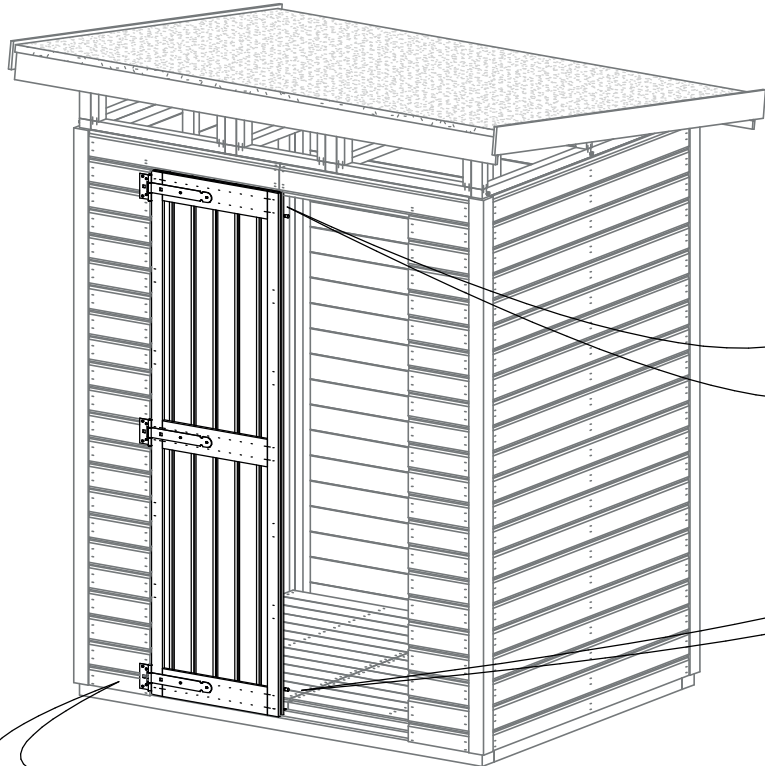
A  3.5x20 x8

F  M8x40 x6

L  x1

B  3.5x35 x28

N  x1



+

